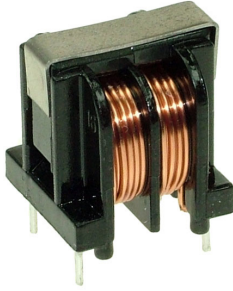


### Features:

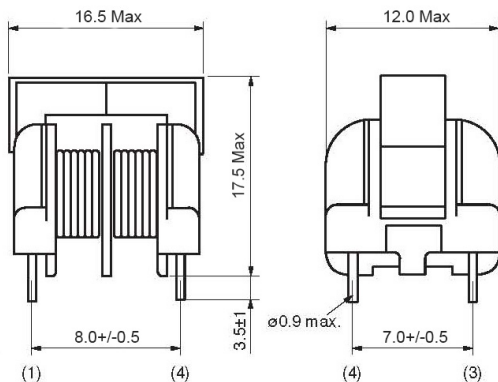


- Common mode - Low Current Choke
- Suitable of filtering power supply in Audio & Communication applications.
- Good attenuation of RFI
- Frequency Range: 0.1 ~ 10MHz
- Operating Temperature: -25 to +105°C
- RoHS & REACH Compliant
- Materials: UL94-V0
- Safety Standards: EN60065

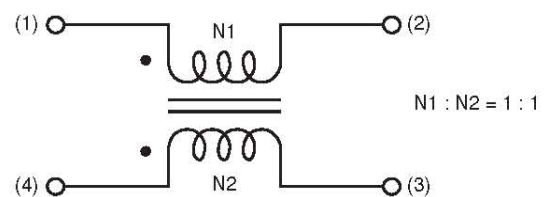
Part Number	Common Mode Inductance mH (Min)	Output Current (mA)	Rated Voltage (V)	Insulation Resistance M Ohm (Min)
VTX-520-0901	0.5	1000	300	>100
VTX-520-0902	0.7	900		
VTX-520-0903	0.8	800		
VTX-520-0904	1.0	700		
VTX-520-0905	1.5	600		
VTX-520-0906	3.5	400		
VTX-520-0907	6	300		
VTX-520-0908	10.0	250		
VTX-520-0909	15.0	200		
VTX-520-0910	20.0	150		
VTX-520-0911	30.0	100		
VTX-520-0912	43.0	80		

**Note: Other Values are available upon request.**

### Mechanical Dimensions



### Schematic Diagram



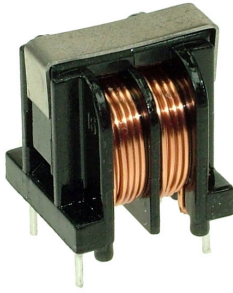
Unit weight: 4.5g

Please contact Vigortronix for any enquiries. Products can be altered to suit custom requirements.  
The information contained in this document is subject to change without notice.

Vigortronix, 16 De Havilland Way, Witney, Oxfordshire, OX29 0YG, UK

Tel. +44 (0)1993 777570 Fax. +44 (0)1993 777580 Web. www.vigortronix.com E-mail: sales@vigortronix.com

Vigortronix is a trading name of Vigortronix (UK) Limited



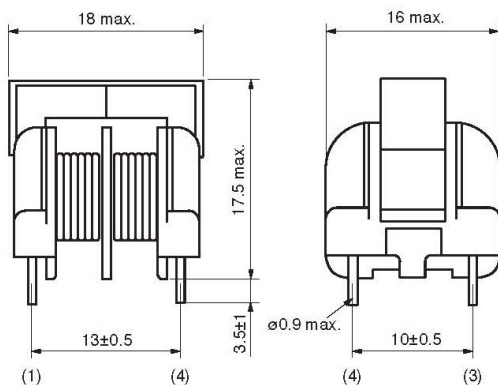
### Features:

- Common mode - Low Current Choke
- Suitable of filtering power supply in Audio & Communication applications.
- Good attenuation of RFI
- Frequency Range: 0.1 ~ 10MHz
- Operating Temperature: -25 to +105°C
- RoHS & REACH Compliant
- Materials: UL94-V0
- Safety Standards: EN60065

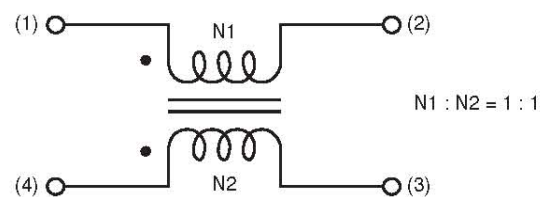
Part Number	Common Mode Inductance mH (Min)	Output Current (mA)	Rated Voltage (V)	Insulation Resistance M Ohm (Min)
VTX-520-101	1.5	2000	300	>100
VTX-520-102	1.8	1700		
VTX-520-103	2.2	1500		
VTX-520-104	3.0	1300		
VTX-520-105	3.5	1200		
VTX-520-106	5.5	1000		
VTX-520-107	7.4	800		
VTX-520-108	10.0	700		
VTX-520-109	15.0	600		
VTX-520-110	20.0	500		
VTX-520-111	30.0	400		
VTX-520-112	43.0	300		

**Note: Other Values are available upon request.**

### Mechanical Dimensions



### Schematic Diagram



Unit weight: 8g

Please contact Vigortronix for any enquiries. Products can be altered to suit custom requirements.  
The information contained in this document is subject to change without notice.

Vigortronix, 16 De Havilland Way, Witney, Oxfordshire, OX29 0YG, UK

Tel. +44 (0)1993 777570 Fax. +44 (0)1993 777580 Web. www.vigortronix.com E-mail: sales@vigortronix.com

Vigortronix is a trading name of Vigortronix (UK) Limited