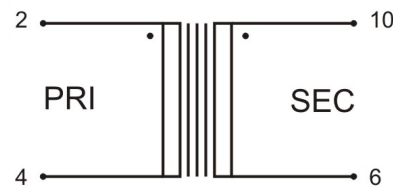
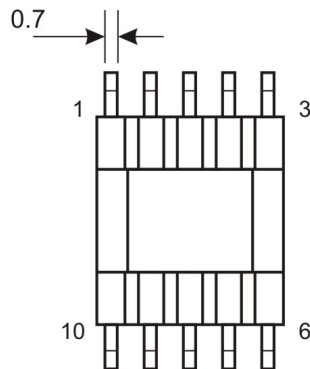
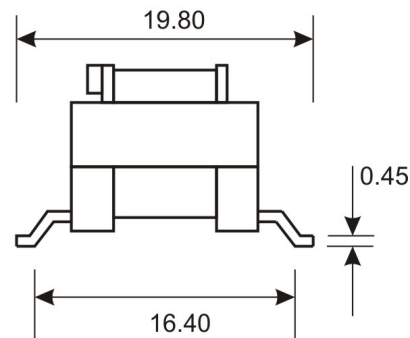
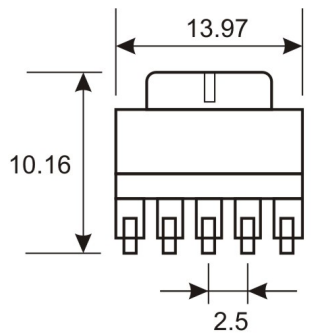
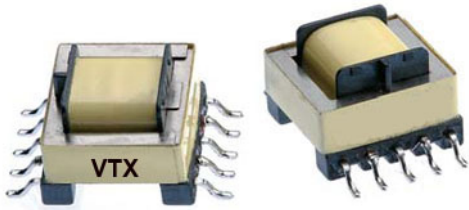


Features:

- Minature Audio Input transformer
- Mounting: SMT
- Power: 20mW
- Impedance matching: 600:1500 Ohms
- Winding Ratio 1:1.58
- Peak Working Voltage 100V



Bottom View

Units:mm

Part No	VTX-103-5001			Unit
Primary Impedance	600			ohms
Secondary Impedance	1500			ohms
D.C. Resistance +/-15%, PRI	43			ohms
D.C. Resistance +/-15%, SEC	78			ohms
Insertion Loss at 1 KHz,	1.5			dB
Dielectric Test PRI-SEC	1250			V AC
Direct Current PRI, maximum	none			mA DC
Turns Ratio (PRI:SEC), +/-2%	1:1.58			----
Peak working Voltage	100			V AC

Products can be altered to suite custom requirements. Please contact Vigortronix for your specific requirements.
 The information contained in this document is subject to change without notice.