

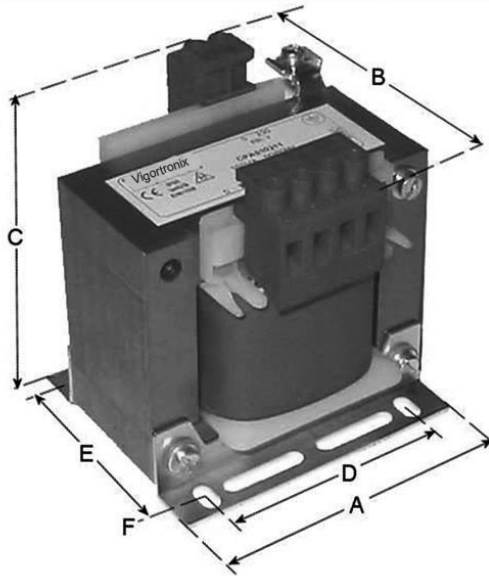


**Features:**

- Made in the UK
- Multi-tapped Primary
- Earth Screen between Primary and Secondary
- Frequency 50/60Hz
- Safety Class 1
- Temperature Class: - Class B (130°C)
- Screw terminals to IP20, (Touch Proof)
- Dielectric Strength: 3000Vrms
- Mounting Brackets to Din 41307
- Manufactured and tested in accordance to EN61558-2-2, EN60742, CE

**Options:**

- Fuse, Thermal Protection
- Screwless terminals
- 35mm Din rail Mounting option



Power Range:	25 ~ 5000VA
*Primary Taps:	15 - 0 - 15 - 230V - 400V
Insulation Class	Class B
Ambient Ta:	40°C
Earth Terminal:	4mm
IP Rating	IP00

\*Suitable for Primary Input Voltages of: 220V, 230V, 240V, 380V, 400V & 415V

VA Rating	Dimension (mm)						Weight Kgs
	A	B	C	D	E	F	
25	66	68	77	50	40	4.5 x 9	0.8
50	76	70	86	53	47	4.5 x 9	1.1
100	84	78	95	60	68	4.5 x 9	2.2
150	96	76	112	68	63	5.5 x 11	3.1
200	96	86	112	68	73	5.5 x 11	3.6
300	120	88	122	80	68	5.5 x 11	5.0
400	120	107	122	80	103	5.5 x 11	6.5
500	120	120	122	80	103	5.5 x 11	7.5
750	150	145	140	105	80	7 x 13	10
1000	150	163	140	105	96	7 x 13	13.5

Product Part Listing next page:....

Please contact Vigortronix for any enquiries. Products can be altered to suit custom requirements. The information contained in this document is subject to change without notice.



Input Voltage (Vac) 15-0-15-230-400V		
VA Rating	Part No	Output Voltage (Vac)
25	VTX-176-025-024	0 -24V
25	VTX-176-025-048	0 - 48V
25	VTX-176-025-110	110V (55V-0-55V)
25	VTX-176-025-230	0 - 230V
50	VTX-176-050-024	0 -24V
50	VTX-176-050-048	0 - 48V
50	VTX-176-050-110	110V (55V-0-55V)
50	VTX-176-050-230	0 - 230V
100	VTX-176-100-024	0 -24V
100	VTX-176-100-048	0 - 48V
100	VTX-176-100-110	110V (55V-0-55V)
100	VTX-176-100-230	0 - 230V
150	VTX-176-150-024	0 -24V
150	VTX-176-150-048	0 - 48V
150	VTX-176-150-110	110V (55V-0-55V)
150	VTX-176-150-230	0 - 230V
200	VTX-176-200-024	0 -24V
200	VTX-176-200-048	0 - 48V
200	VTX-176-200-110	110V (55V-0-55V)
200	VTX-176-200-230	0 - 230V
300	VTX-176-300-024	0 -24V
300	VTX-176-300-048	0 - 48V
300	VTX-176-300-110	110V (55V-0-55V)
300	VTX-176-300-230	0 - 230V
400	VTX-176-400-024	0 -24V
400	VTX-176-400-048	0 - 48V
400	VTX-176-400-110	110V (55V-0-55V)
400	VTX-176-400-230	0 - 230V

Input Voltage (Vac) 15-0-15-230-400V		
VA Rating	Part No	Output Voltage (Vac)
500	VTX-176-500-024	0 -24V
500	VTX-176-500-048	0 - 48V
500	VTX-176-500-110	110V (55V-0-55V)
500	VTX-176-500-230	0 - 230V
750	VTX-176-750-024	0 -24V
750	VTX-176-750-048	0 - 48V
750	VTX-176-750-110	110V (55V-0-55V)
750	VTX-176-750-230	0 - 230V
1000	VTX-176-1000-024	0 -24V
1000	VTX-176-1000-048	0 - 48V
1000	VTX-176-1000-110	110V (55V-0-55V)
1000	VTX-176-1000-230	0 - 230V
1500	On Request	
2000	On Request	
3000	On Request	
4000	On Request	
5000	On Request	