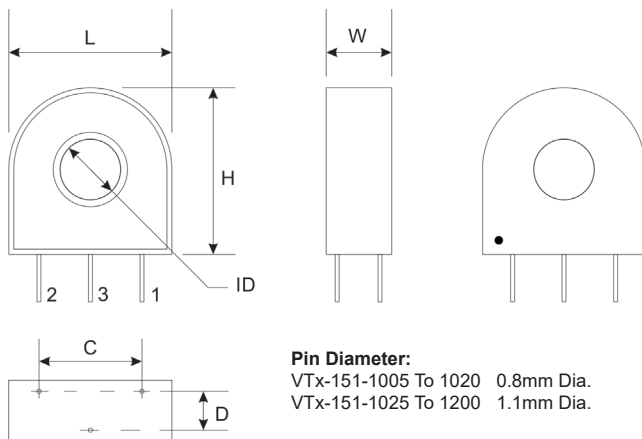


Features:

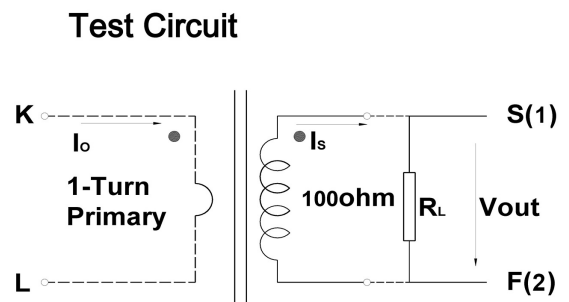
- Low Cost Current Transformer
- Suitable for 50/60Hz Frequencies.
- Applications:
Sensing Current Overload
Metering, Ground fault detection.
- RoHS & REACH Compliant
- Materials: UL94-V0
- Standards: IEC 60044 & 61010

Part Number	Ip Amps	Turns Ratio	Terminating resistor		Net Weight (g)	Dimensions - mm					
			Ohms	Watts		L	ID	H	W	C	D
VTX-151-1005	5	1000:1	100	0.0025	16.3	23.8	9.5	23.8	12.5	15.24	7.62
VTX-151-1010	10	1000:1	100	0.001	16.3	23.8	9.5	23.8	12.5	15.24	7.62
VTX-151-1015	15	1000:1	100	0.023	16.3	23.8	9.5	23.8	12.5	15.24	7.62
VTX-151-1020	20	1000:1	100	0.04	16.3	23.8	9.5	23.8	12.5	15.24	7.62
VTX-151-1025	25	1000:1	100	0.063	35.5	30.2	11.4	30.2	14.3	20.32	10.16
VTX-151-1030	30	1000:1	100	0.09	35.5	30.2	11.4	30.2	14.3	20.32	10.16
VTX-151-1040	40	1000:1	100	0.16	47.4	34.9	14.6	34.9	14.3	25.4	10.16
VTX-151-1050	50	1000:1	100	0.25	47.4	34.9	14.6	34.9	14.3	25.4	10.16
VTX-151-1060	60	1000:1	100	0.36	65.2	38.2	14.6	38.2	15.9	33.0	10.16
VTX-151-1075	75	1000:1	100	0.57	65.2	38.2	14.6	38.2	15.9	33.0	10.16
VTX-151-1100	100	1000:1	100	1.0	80.0	44.5	19.1	44.5	14.3	35.6	10.16
VTX-151-1150	150	1000:1	100	2.25	150.0	55.6	23.8	55.6	20.6	45.7	12.7
VTX-151-1200	200	1000:1	100	4.0	150.0	55.6	23.8	55.6	20.6	45.7	12.7
Note: Other Values are available upon request.											

Mechanical Dimensions



Schematic Diagram



Note: Pin 3 Not used

Please contact Vigortronix for any enquiries. Products can be altered to suit custom requirements.
 The information contained in this document is subject to change without notice.

Vigortronix, 16 De Havilland Way, Witney, Oxfordshire, OX29 0YG, UK

Tel. +44 (0)1993 777570 Fax. +44 (0)1993 777580 Web. www.vigortronix.com E-mail: sales@vigortronix.com

Vigortronix is a trading name of Vigortronix (UK) Limited