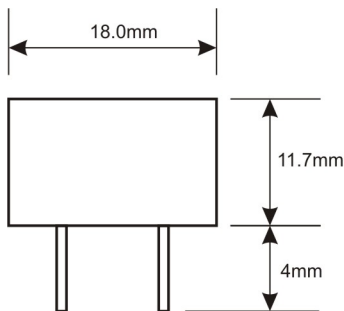
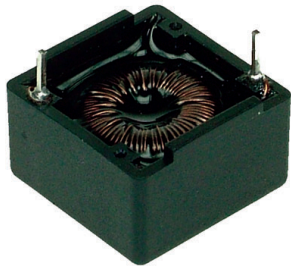


Features:

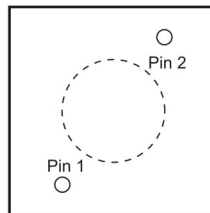
- Designed for National Semiconductor 50kHz S. Switcher
- Operational Temperature: -40 ~ +110°C
- Used with National's LM2574/LM2575/ LM2576
- Base Material meet UL 94V-0
- RoHS Compliant



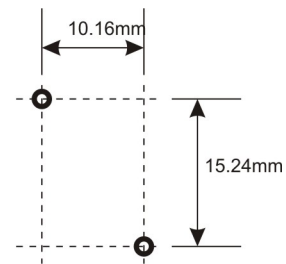
Dimensions:
 Height : 11.7mm
 Width : 18.0mm
 Length : 18.0mm
 Weight : 0.015kg



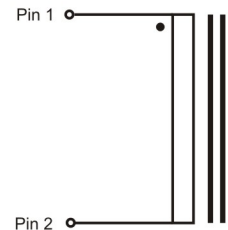
X: Year Code
WW: Week of Manufacture



Pin View (Bottom)



PCB Layout, Hole Dia. 0.8mm



Electrical Schematic VTX-512-05##

Part No	Inductor Code	Inductance Typ. (μH)	I.dc (Amps)	E _{Top} (V-μSec)	Inductance μH (10mv@20kHz)	DCR (Ω Max)
VTX-512-0501	L47	47	6.0	90	38	0.05
VTX-512-0502	L68	68	5.0	90	56	0.03
VTX-512-0503	L100	100	3.0	90	91	0.04
VTX-512-0504	L150	150	2.0	90	130	0.1
VTX-512-0505	L220	220	1.4	90	230	0.38
VTX-512-0507	L330	330	0.9	90	302	0.74
VTX-512-0509	L470	470	0.85	90	425	1.16
VTX-512-0510	L680	680	0.65	90	657	1.25

Products can be altered to suit custom requirements. Please contact Vigortronix for your specific requirements.
 The information contained in this document is subject to change without notice.