



### Features:

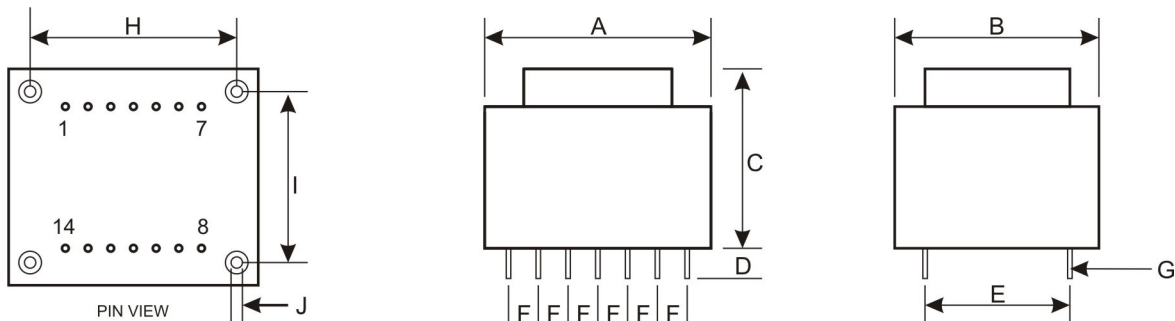
- High Quality Encapsulated Transformer
- Single/Dual - Primary/Secondary windings
- Power: 13 & 16VA 50/60Hz
- Temperature Class: - Class B (130°C)
- Ambient temperature: +40°C
- Dielectric Strength: 4.2KVrms
- Manufactured and tested in accordance to UL506, EN61558, EN60950, CE



### Description

VTX-121-54xx Series are high performance EI54 encapsulated transformers with PCB mounting. Due to their construction and encapsulation these transformers provide excellent performance in aggressive environments where potential exists for changes in temperature and humidity.

### Dimensions

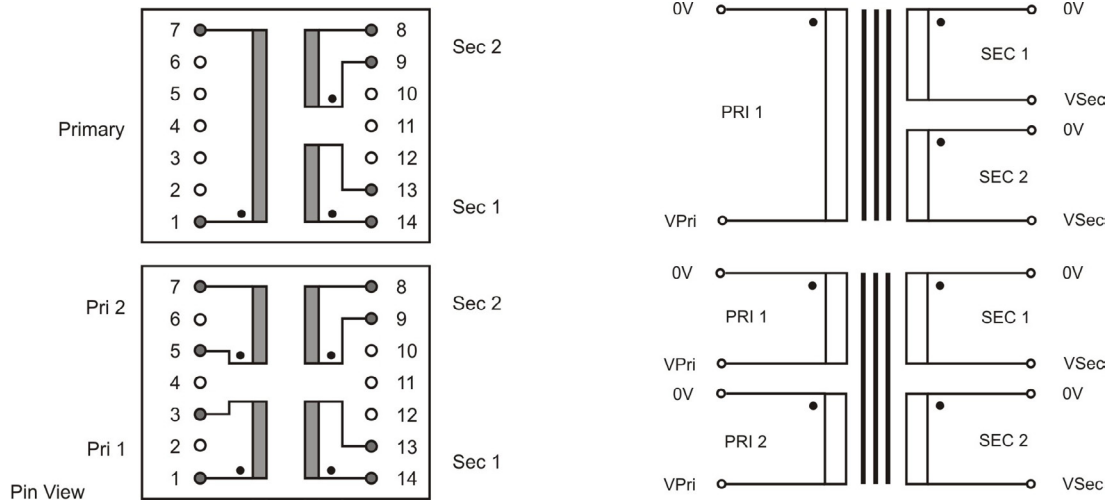


Unused Pins will be omitted from standard parts.  
Recommended Drill Hole Diameter for Pins: 1.2mm

VA Rating	Dimension (mm)										Weight (g)
	A	B	C	D	E	F	G	H	I	J	
<b>13 / 16</b>	57	48	39	4	30	5	Sq 0.64	45	36	2.4Φ x7.8	410
<b>Tolerance</b>	+/-0.5	+/-0.5	+/-0.5	+/-1.0	+/-0.5	+/-0.2	+/-0.1	+/- 1.0	+/-1.0	+/-0.2	approx

Please contact Vigortronix for any enquiries. Products can be altered to suit custom requirements.  
The information contained in this document is subject to change without notice.

## Schematic & Selection Guide



VA Rating	Part No	Input Voltage (Vac)	Output Voltage (Vac)	Output Current (mA)	ta (°C)	Approvals
13	VTX-121-5413-206	230	2 x 6	1080	40	CE UK CA
13	VTX-121-5413-209	230	2 x 9	722	40	
13	VTX-121-5413-212	230	2 x 12	541	40	
13	VTX-121-5413-215	230	2 x 15	433	40	
13	VTX-121-5413-218	230	2 x 18	361	40	
13	VTX-121-5413-224	230	2 x 24	270	40	
13	VTX-121-5413-406	2 x 115	2 x 6	1080	40	
13	VTX-121-5413-409	2 x 115	2 x 9	722	40	
13	VTX-121-5413-412	2 x 115	2 x 12	541	40	
13	VTX-121-5413-415	2 x 115	2 x 15	433	40	
13	VTX-121-5413-418	2 x 115	2 x 18	361	40	
13	VTX-121-5413-424	2 x 115	2 x 24	270	40	
16	VTX-121-5416-206	230	2 x 6	1333	40	
16	VTX-121-5416-209	230	2 x 9	888	40	
16	VTX-121-5416-212	230	2 x 12	666	40	
16	VTX-121-5416-215	230	2 x 15	533	40	
16	VTX-121-5416-218	230	2 x 18	444	40	
16	VTX-121-5416-224	230	2 x 24	333	40	
16	VTX-121-5416-406	2 x 115	2 x 6	1333	40	
16	VTX-121-5416-409	2 x 115	2 x 9	888	40	
16	VTX-121-5416-412	2 x 115	2 x 12	666	40	
16	VTX-121-5416-415	2 x 115	2 x 15	533	40	
16	VTX-121-5416-418	2 x 115	2 x 18	444	40	
16	VTX-121-5416-424	2 x 115	2 x 24	333	40	

Please contact Vigortronix for any enquiries. Products can be altered to suit custom requirements.  
The information contained in this document is subject to change without notice.