



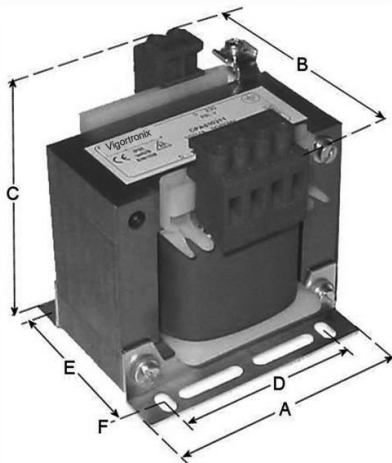
Image for reference only

Features:

- Made in the UK
- Multi-tapped Primary
- Earth Screen between Primary and Secondary
- Frequency 50/60Hz
- Safety Class 1
- Temperature Class: - Class B (130°C)
- Screw terminals to IP20, (Touch Proof)
- Dielectric Strength: 3000Vrms
- Mounting Brackets to Din 41307
- Manufactured and tested in accordance to EN61558-2-2, EN60742, CE



Description



Options:

- Fuse, Thermal Protection
- Screwless terminals
- 35mm Din rail Mounting option

Power Range:	25 ~ 5000VA
*Primary Taps:	15 - 0 - 15 - 230V - 400V
Insulation Class	Class B
Ambient Ta:	40°C
Earth Terminal:	4mm
IP Rating	IP00

*Suitable for Primary Input Voltages of:
220V, 230V, 240V, 380V, 400V & 415V

Selection Guide

VA Rating	Dimension (mm)						Weight Kgs
	A	B	C	D	E	F	
25	66	68	77	50	40	4.5 x 9	0.8
50	76	70	86	53	47	4.5 x 9	1.1
100	84	78	95	60	68	4.5 x 9	2.2
150	96	76	112	68	63	5.5 x 11	3.1
200	96	86	112	68	73	5.5 x 11	3.6
300	120	88	122	80	68	5.5 x 11	5.0
400	120	107	122	80	103	5.5 x 11	6.5
500	120	120	122	80	103	5.5 x 11	7.5
750	150	145	140	105	80	7 x 13	10
1000	150	163	140	105	96	7 x 13	13.5

Product Part Listing next page:....

Please contact Vigortronix for any enquiries. Products can be altered to suit custom requirements.
The information contained in this document is subject to change without notice.

Input Voltage (Vac) 15-0-15-230-400V		
VA Rating	Part No	Output Voltage (Vac)
25	VTX-176-025-024	0 - 24V
25	VTX-176-025-048	0 - 48V
25	VTX-176-025-110	110V (55V-0-55V)
25	VTX-176-025-230	0 - 230V
50	VTX-176-050-024	0 - 24V
50	VTX-176-050-048	0 - 48V
50	VTX-176-050-110	110V (55V-0-55V)
50	VTX-176-050-230	0 - 230V
100	VTX-176-100-024	0 - 24V
100	VTX-176-100-048	0 - 48V
100	VTX-176-100-110	110V (55V-0-55V)
100	VTX-176-100-230	0 - 230V
150	VTX-176-150-024	0 - 24V
150	VTX-176-150-048	0 - 48V
150	VTX-176-150-110	110V (55V-0-55V)
150	VTX-176-150-230	0 - 230V
200	VTX-176-200-024	0 - 24V
200	VTX-176-200-048	0 - 48V
200	VTX-176-200-110	110V (55V-0-55V)
200	VTX-176-200-230	0 - 230V
300	VTX-176-300-024	0 - 24V
300	VTX-176-300-048	0 - 48V
300	VTX-176-300-110	110V (55V-0-55V)
300	VTX-176-300-230	0 - 230V
400	VTX-176-400-024	0 - 24V
400	VTX-176-400-048	0 - 48V
400	VTX-176-400-110	110V (55V-0-55V)
400	VTX-176-400-230	0 - 230V

Input Voltage (Vac) 15-0-15-230-400V		
VA Rating	Part No	Output Voltage (Vac)
500	VTX-176-500-024	0 - 24V
500	VTX-176-500-048	0 - 48V
500	VTX-176-500-110	110V (55V-0-55V)
500	VTX-176-500-230	0 - 230V
750	VTX-176-750-024	0 - 24V
750	VTX-176-750-048	0 - 48V
750	VTX-176-750-110	110V (55V-0-55V)
750	VTX-176-750-230	0 - 230V
1000	VTX-176-1000-024	0 - 24V
1000	VTX-176-1000-048	0 - 48V
1000	VTX-176-1000-110	110V (55V-0-55V)
1000	VTX-176-1000-230	0 - 230V
1500	On Request	
2000	On Request	
3000	On Request	
4000	On Request	
5000	On Request	

Please contact Vigortronix for any enquiries. Products can be altered to suit custom requirements.
The information contained in this document is subject to change without notice.